



SCIGATE AUTOMATION (S) PTE LTD

No.1 Bukit Batok Street 22 #01-01 Singapore 659592

Tel: (65) 6561 0488

Fax: (65) 6562 0588

Email: sales@scigate.com.sg

Web: www.scigate.com.sg

Business Hours: Monday - Friday 8.30am - 6.15pm

Device/PLC Connection Manuals



About the Device/PLC Connection Manuals

Prior to reading these manuals and setting up your device, be sure to read the "Important: Prior to reading the Device/PLC Connection manual" information. Also, be sure to download the "Preface for Trademark Rights, List of Units Supported, How to Read Manuals and Documentation Conventions" PDF file. Furthermore, be sure to keep all manual-related data in a safe, easy-to-find location.

12.10 CHINO Corporation Controllers

12.10.1 System Structure

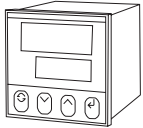


The following describes the system configuration used when connecting the GP/GLC/LT to a CHINO Controller.



GP/GLC/LT's System Area (LS0 to LS19) Settings

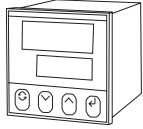

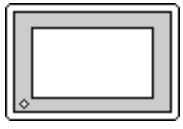
The GP/GLC/LT's system area (20 words) cannot be allocated to the Controller's own data area. When you are entering the system area settings via the screen editor software or via the GP/GLC/LT's OFFLINE screen, be careful that you do not use the Controller's own data area.

■ LT230 Series

| Controller *1 | Cable Diagram | GP/GLC/LT |
|---|--|---|
|  |  |  |
| LT23□□□200-□□□ LT23□□□S00-□□□ | RS-422 2-wire (Cable Diagram 4) | GP/GLC Series LT Type C |
| | RS-422 2-wire 1:n Connection (Cable Diagram 5) | |

*1 The model data "□" will vary depending on the type of option. For detailed controller information, refer to that unit's catalog. Serial data transfer option types use a "2" for RS-485 and "3" for RS-485+2 External Input.

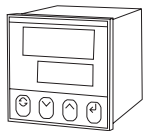


■ **LT300 Series**

| Controller *1 | Cable Diagram | | GP/GLC/LT |
|---|--|--|---|
|  |  | |  |
| LT3□□□□R□0-□□□ | RS-232C (Cable Diagram 1) | Chino's RS-232C Cable RZ-CRS2□□ *2 | GP/GLC Series LT Type C |
| LT3□□□□A□0-□□□ | RS-422 4-wire (Cable Diagram 2) | Digital's GP230-IS11-O | |
| | RS-422 4-wire 1:n Connection (Cable Diagram 3) | | |
| LT3□□□□S□0-□□□ | RS-422 2-wire (Cable Diagram 4) | | |
| | RS-422 2-wire 1:n Connection (Cable Diagram 5) | | |

*1 The model data "□" will vary depending on the type of option. For detailed controller information, refer to that unit's catalog. Serial data transfer option types use a "R" for RS-232C, "A" for RS-422A and "S" for RS-485.

*2 The Cable cannot be connected directly to a GP-377/GP-377R/GP2300 Series unit because of the connectors cover size.

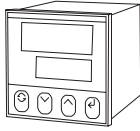


■ LT400 Series

| Controller *1 | Cable Diagram | | GP/GLC/LT |
|---|--|--|---|
|  |  | |  |
| LT4□□□□R□□-□□□ | RS-232C (Cable Diagram 1) | Chino's RS-232C Cable RZ-CRS2□□ *1 | GP/GLC Series LT Type C |
| LT4□□□□A□□-□□□ | RS-422 4-wire (Cable Diagram 2) | Digital's GP230-IS11-O | |
| | RS-422 4-wire 1:n Connection (Cable Diagram 3) | | |
| LT4□□□□S□□-□□□ | RS-422 2-wire (Cable Diagram 4) | | |
| | RS-422 2-wire 1:n Connection (Cable Diagram 5) | | |

*1 The model data "□" will vary depending on the type of option. For detailed controller information, refer to that unit's catalog. Serial data transfer option types use a "R" for RS-232C, "A" for RS-422A and "S" for RS-485. With LT-400 Series units, be sure to use units with a Serial Number of LT4037**** or later. When using LT 400 Series units with a Serial Number of LT4036**** or earlier, an error "PLC NOT RESPONDING (02:FE:**)" will appear on GP/GLC/LT display.

*2 The Cable cannot be connected directly to a GP-377/GP-377R/GP2300

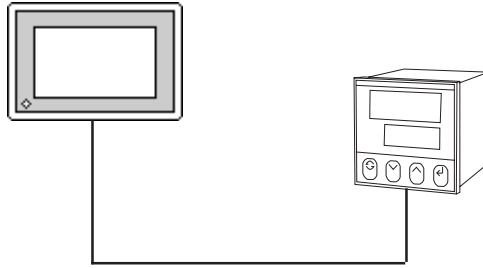
■ **JU Series**

| Thyristor *1 | Cable Diagram | GP/GLC/LT |
|---|---|--|
|  |  |  |
| JU□□□□□□□513 JU□□□□□□□613 | RS-422 2-wire (Cable Diagram 4) RS-422 2-wire 1:n Connection (Cable Diagram 5) RS-422 2-wire 1:n Connection (JU+Communication between units) (Cable Diagram 6) | GP/GLC Series LT Type C |

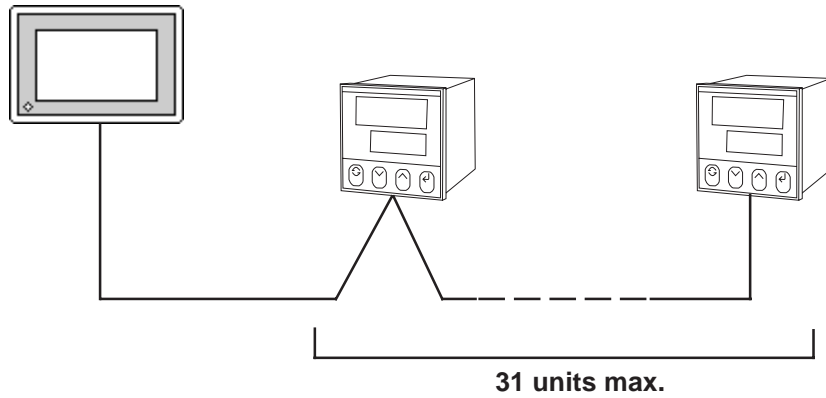
*1 JU Series Thyristors models vary, depending on each unit's communication specifications. The two groups are identified by model numbers with a "5" (Unit space Master - with temperature controller feature), and a "6" (Unit space Slave - without temperature controller feature). For details, refer to the Thyristor catalog. thyristors with no temperature controller feature (JU□□□□□□□613) cannot be connected directly to the GP. The unit must first be connected to a "5" series unit (JU□□□□□□□513), and communication is performed via the "5" series unit's Master-Slave communication. For inter-unit communication methods, refer to your Thyristor unit's Installation Guide.

◆ Connections

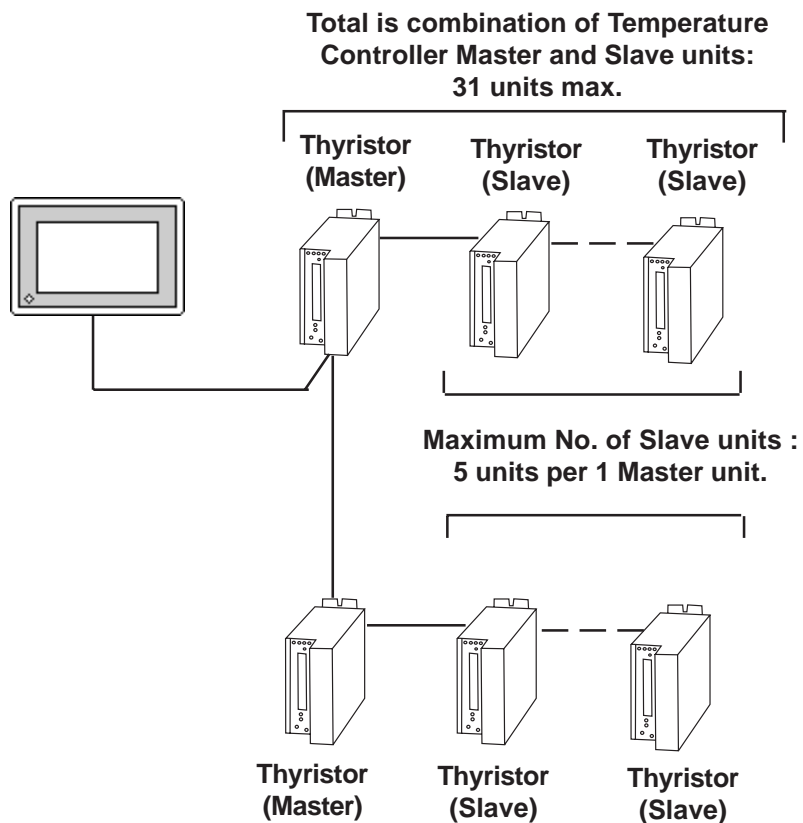
- 1:1 connection (RS-232C or RS-422)



- 1:n connection (RS-422)



- 1:n connection (JU Series inter-unit communication) (RS-422)



12.10.2 Cable Diagrams

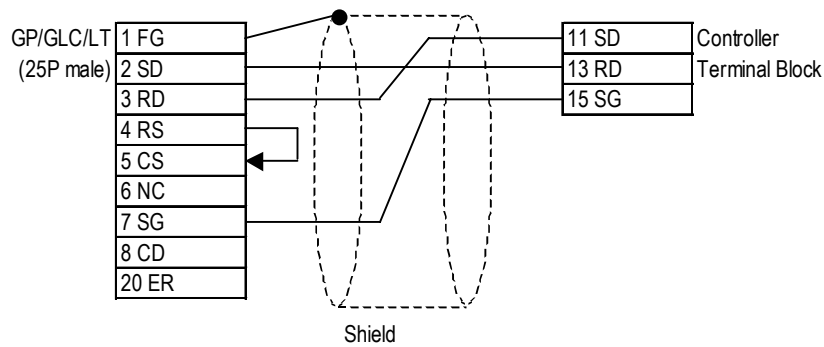
The cable diagrams shown below and the cable diagrams recommended by CHINO Corporation may differ, however, using these cables for your Controller's operations will not cause any problems.



- **Connect the FG line of the Shield cable to the GP/GLC/LT side.**
- **If a communications cable is used, be sure to connect its SG (signal ground) terminal.**
- **RS-232C cables should be 15 meters or less.**
- **RS-422 cables should be 600 meters or less.**

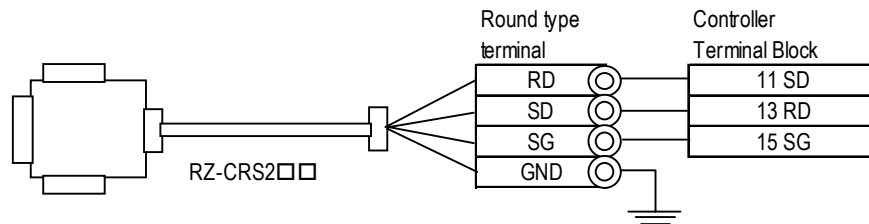
Cable Diagram 1 RS-232C

<When making your own cable connections>



<When using Chino's RS-232C Cable RZ-CRS2□□>

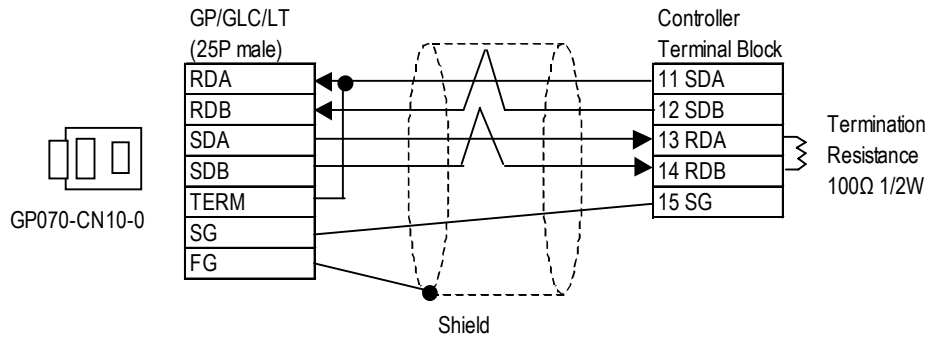
(□□ indicates the Cable length. 15m max.)



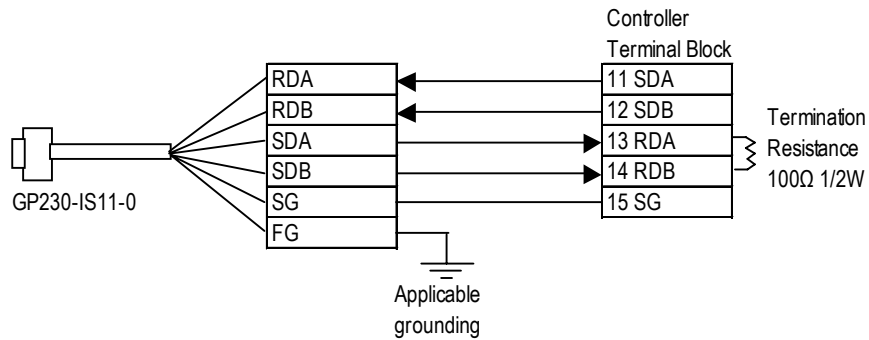
Chino's RS-232C Cable RZ-CRS2□□ cannot be connected to GP-377/GP-377RS/GP2300 Series unit because of the connector size.

Cable Diagram 2 RS-422 4-Wire

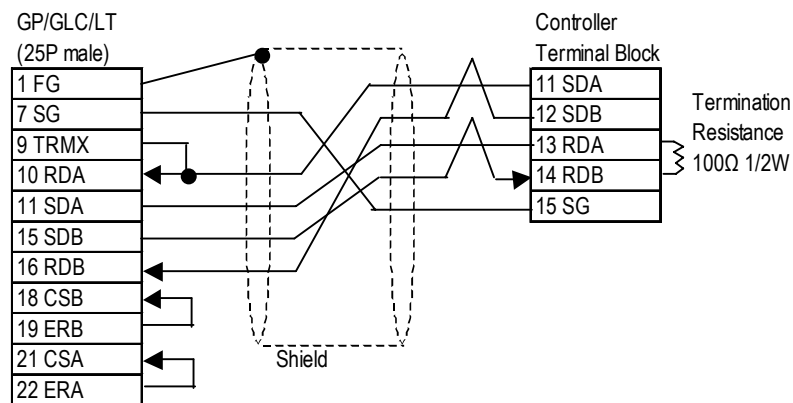
<When using Digital's RS-422 connector terminal adapter GP070-CN10-0>



<When using Digital's RS-422 Cable GP230-IS11-0>



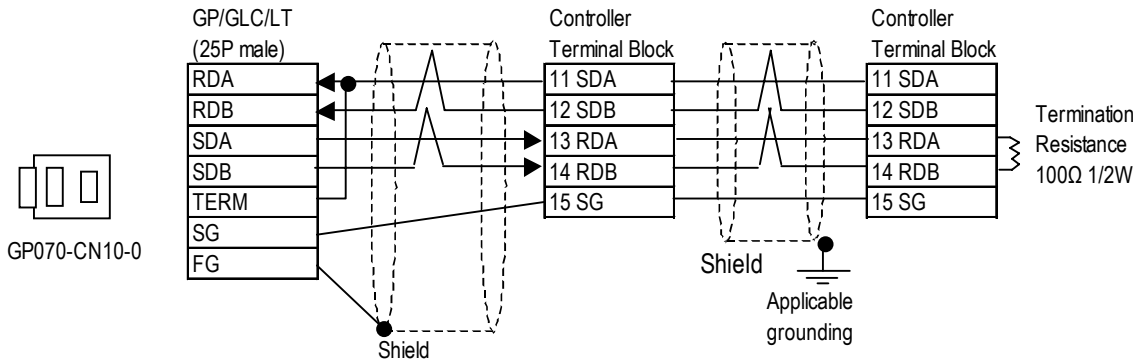
<When making your own cable>



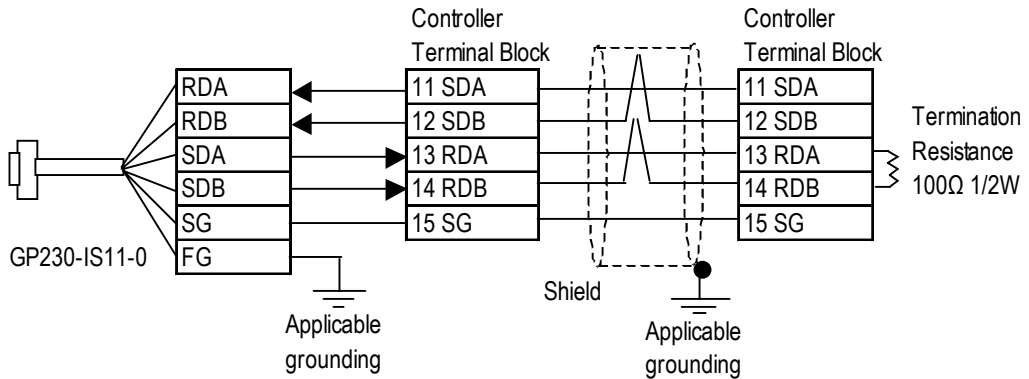
Note: When connecting the #9 and #10 pins in the GP Serial I/F, a termination resistance of 100Ω is added between RDA and RDB.

Cable Diagram 3 (1:n) RS-422 4-Wire

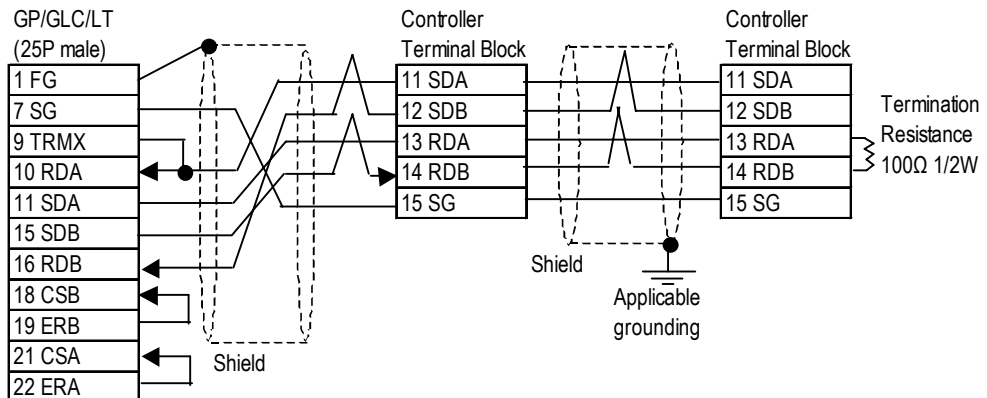
<When using Digital's RS-422 connector terminal adapter GP070-CN10-0>



<When using Digital's RS-422 Cable GP230-IS11-0>



<When making your own cable>



When connecting the #9 and #10 pins in the GP Serial I/F, a termination resistance of 100Ω is added between RDA and RDB.

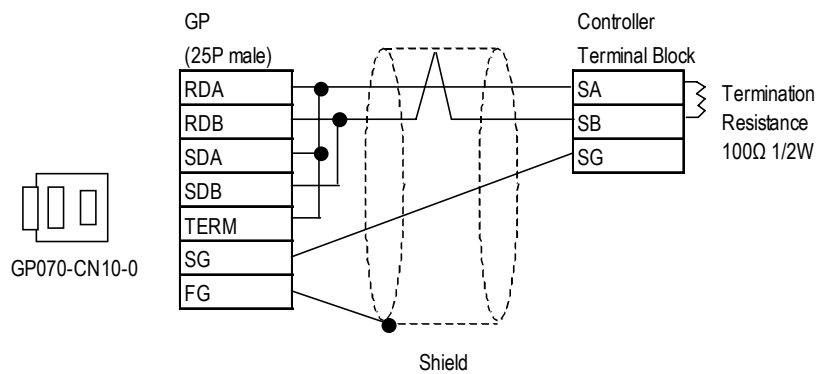
Cable Diagram 4 RS-422 2-Wire



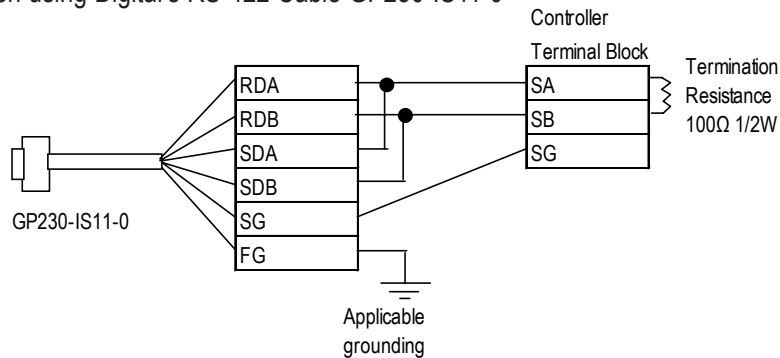
The controller terminal number will differ depending on the type of controller used. The controller pin assignment diagrams are shown below. When using JU series, SA and SB will be called SA1 and SB1. JU Series unit has no SG.

| Signal name | Terminal number | | | |
|-------------|-----------------|-------|-------|--------------|
| | LT230 | LT300 | LT400 | JU+ (Master) |
| SA | 6 | 11 | 11 | 14 |
| SB | 7 | 12 | 12 | 15 |
| SG | 8 | 15 | 15 | --- |

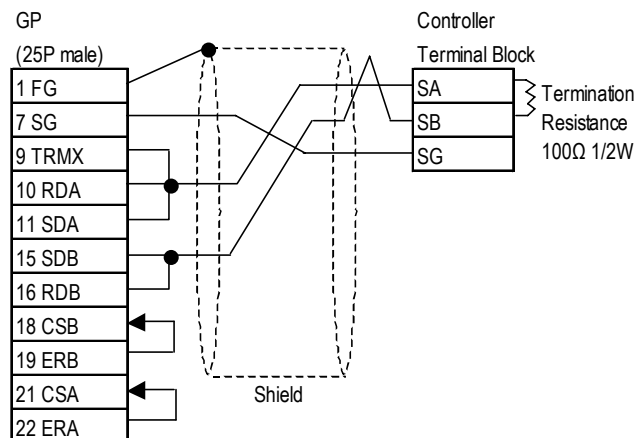
<When using Digital's RS-422 connector terminal adapter GP070-CN10-0>



<When using Digital's RS-422 Cable GP230-IS11-0>



<When making your own cable>



Note: When connecting the #9 and #10 pins in the GP Serial I/F, a termination resistance of 100Ω is added between RDA and RDB.

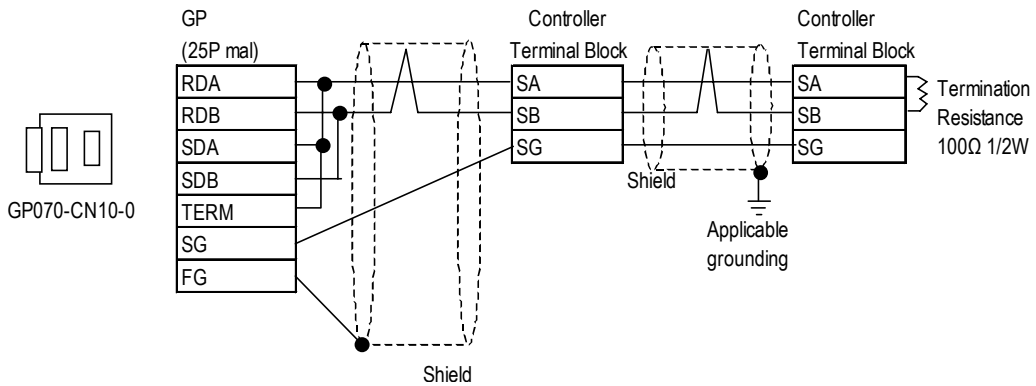
Cable Diagram 5 (1:n) RS-422 2-Wire



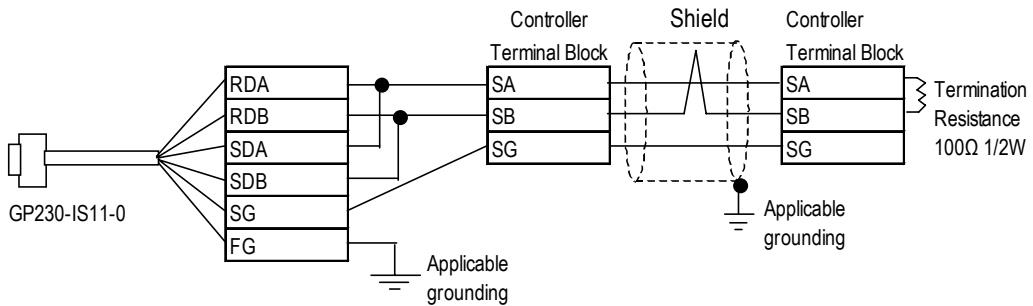
The controller terminal number will differ depending on the type of controller used. The controller pin assignment diagrams are shown below. When using JU series, SA and SB will be called SA1 and SB1. JU Series unit has no SG.

| Signal name | Terminal number | | | |
|-------------|-----------------|-------|-------|--------------|
| | LT230 | LT300 | LT400 | JU+ (Master) |
| SA | 6 | 11 | 11 | 14 |
| SB | 7 | 12 | 12 | 15 |
| SG | 8 | 15 | 15 | --- |

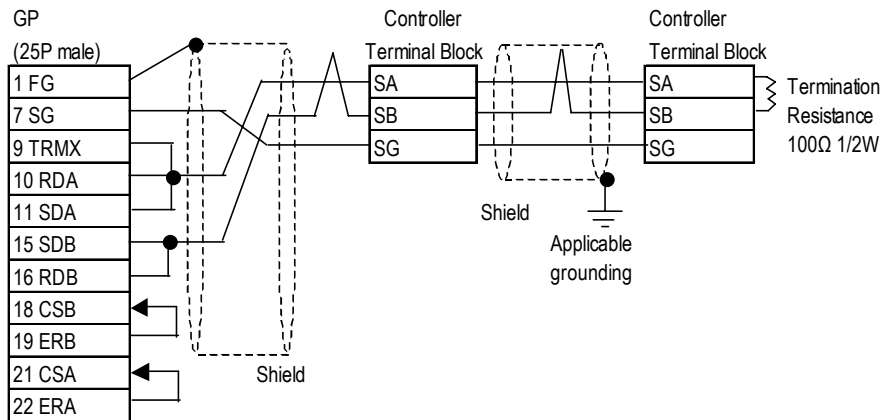
<When using Digital's RS-422 connector terminal adapter GP070-CN10-0>



<When using Digital's RS-422 Cable GP230-IS11-0>



<When making your own cable>



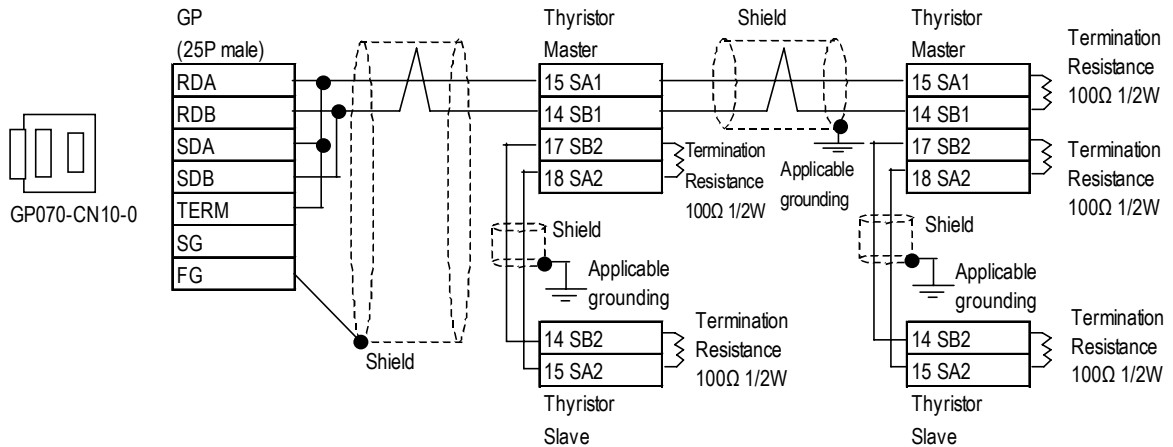
When connecting the #9 and #10 pins in the GP Serial I/F, a termination resistance of 100Ω is added between RDA and RDB.

Cable Diagram 6 (1:n) RS-422 2-Wire (JU Series inter-unit communication)

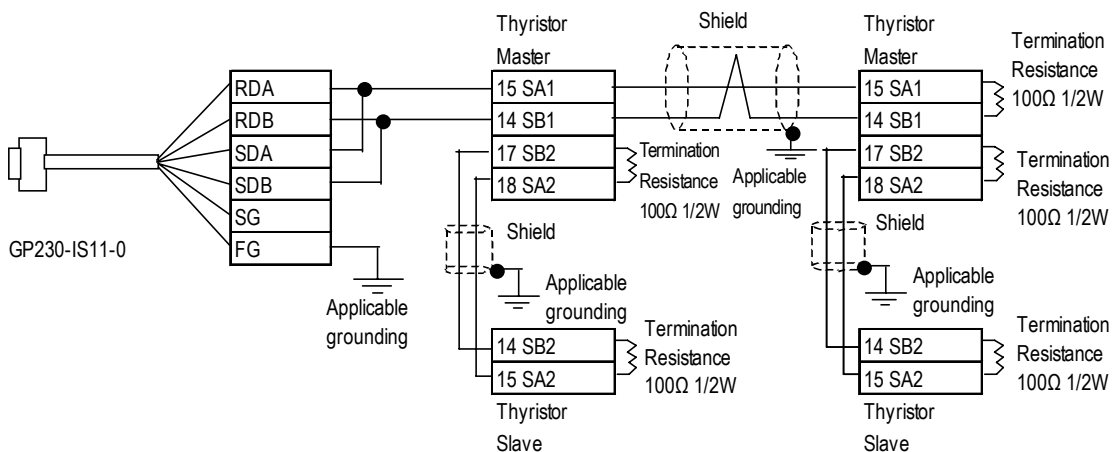


Cable length used between the temperature controller master and the slave should be less than 10 meters.

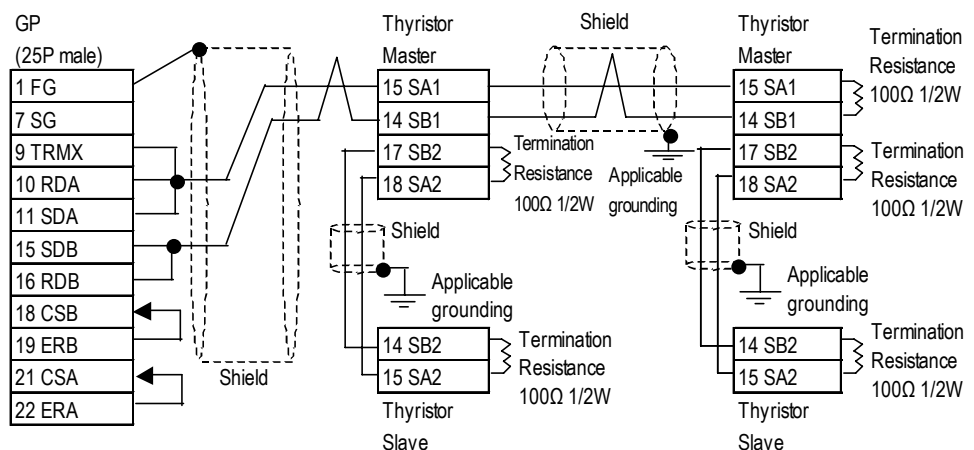
<When using Digital's RS-422 connector terminal adapter GP070-CN10-0>



<When using Digital's RS-422 Cable GP230-IS11-0>



<When making your own cable>



When connecting the #9 and #10 pins in the GP Serial I/F, a termination resistance of 100Ω is added between RDA and RDB.

12.10.3 Supported Devices

The following list shows the range of devices supported by the GP/GLC/LT.

■ LT230 Series

| Device | Bit Address | Word Address | Comments |
|-----------------------|-------------|--------------|-----------|
| Digital Setting Value | 00101 | _____ | *1 |
| Digital Input Data | 10004~10120 | _____ | *2 |
| Analog Input Data | _____ | 30101~30142 | Bit 15 *2 |
| Analog Setting Value | _____ | 40008~40251 | Bit 15 *1 |
| | | 49501~49512 | |

*1 When writing data, be sure to set the Controller's Key Lock to [Lock 4]. When Writing with Key Lock [Lock 4], a Host communication error (02:12:***) will appear.

▼Reference▲ 12.10.5 Error Codes

*2 Only data read-out is possible. Data write is not possible. If data write is attempted, a Host communication error (02:01:***) will appear. ▼Reference▲ 12.10.5 Error Codes

■ LT300 Series

| Device | Bit Address | Word Address | Comments |
|-----------------------|-------------|--------------|-----------|
| Digital Setting Value | 00101 | _____ | *1 |
| Digital Input Data | 10004~10122 | _____ | *2 |
| Analog Input Data | _____ | 30101~30142 | Bit 15 *2 |
| Analog Setting Value | _____ | 40008~40251 | Bit 15 *1 |
| | | 49501~49512 | |

*1 When writing data, be sure to set the Controller's Key Lock to [Lock 4]. When Writing with Key Lock [Lock 4], a Host communication error (02:12:***) will appear.

▼Reference▲ 12.10.5 Error Codes

*2 Only data read-out is possible. Data write is not possible. If data write is attempted, a Host communication error (02:01:***) will appear. ▼Reference▲ 12.10.5 Error Codes

■ LT400 Series

| Device | Bit Address | Word Address | Comments |
|-----------------------|-------------|--------------|-----------|
| Digital Setting Value | 00101 | _____ | *1 |
| Digital Input Data | 10004~10124 | _____ | *2 |
| Analog Input Data | _____ | 30101~30142 | Bit 15 *2 |
| Analog Setting Value | _____ | 40001~40388 | Bit 15 *1 |
| | | 49501~49512 | |

*1 When writing data, be sure to set the Controller's Key Lock to [Lock 4]. When Writing with Key Lock [Lock 4], a Host communication error (02:12:***) will appear.

▼Reference▲ 12.10.5 Error Codes

*2 Only data read-out is possible. Data write is not possible. If data write is attempted, a Host communication error (02:01:***) will appear. ▼Reference▲ 12.10.5 Error Codes

■ JU Series

| Device | Bit Address | Word Address | Comments |
|-----------------------|-------------|--------------|----------|
| Digital Setting Value | 00101~00106 | _____ | *1 |
| | 01102~01612 | | |
| Digital Input Data | 10002~10122 | _____ | *2 |
| | 11109~11614 | | |
| Analog Input Data | _____ | 30101~30142 | *2 H/L |
| | | 31101~31612 | |
| | | 39001~39080 | |
| Analog Setting Value | _____ | 40001~40384 | *1 |
| | | 41102~41627 | |
| | | 48111~48618 | |
| | | 49501~49525 | |

*1 When writing data, be sure to set the Thyristor's Key Lock to [Lock 4]. When Writing with Key Lock [Lock 4], a Host communication error (02:12:***) will appear. **Reference** 12.10.5 Error Codes

*2 Only data read-out is possible. Data write is not possible. If data write is attempted, a Host communication error (02:01:***) will appear.

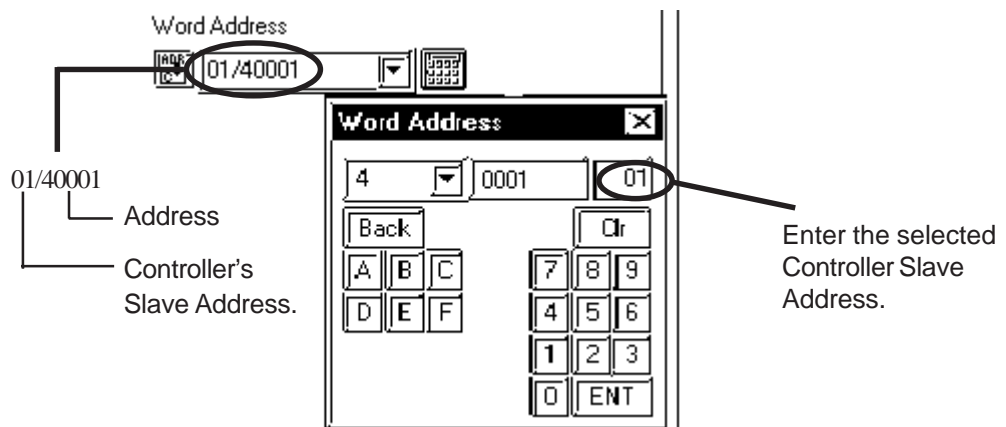
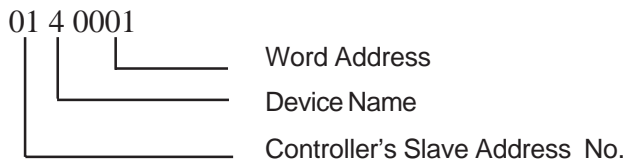
Reference 12.10.5 Error Codes



Note: Indicating Controller Slave Address settings can be entered in your screen editor software. If a unit number is not indicated, the previously entered station number is automatically used. (The default value is 1.)

E.g. When entering Device Address 40001

Enter the Device Name “4”, and the Word Address “0001”.





- **GP/GLC/LT's System Area (LS0 to LS19) Settings**

The GP/GLC/LT's system area (20 words) cannot be allocated to the Controller's own data area. When you are entering the system area settings via the screen editor software or via the GP/GLC/LT's OFFLINE screen, be careful that you do not use the Controller's own data area.

- *With system versions later than the following, even if the system area is allocated, the GP/GLC/LT will not send the system area data to a Controller. To check the system version, refer to the GP/GLC/LT's User Manual.*

| | | | | | | |
|------------------|----------|----------|----------|----------|----------|-----------|
| GP/GLC/LT Series | GP77R | GP377 | GP2000 | GLC300 | GLC2000 | LT Type C |
| System Version | Ver.2.60 | Ver.2.60 | Ver.2.60 | Ver.2.45 | Ver.3.10 | Ver.1.00 |



Decimal point data is included in temperature controller data. The GP/GLC/LT unit handles decimal point data as follows:

<When reading out data>

Data read out from a temperature controller will be converted to a non-decimal integer.

EX.) Temperature controller's value is 100.0
 Temperature controller value 100.0
 Value on the GP/GLC/LT unit (set for no value after decimal) 1000

When displaying decimal values on a GP/GLC/LT(via an N-tag, etc.) the data will be displayed according to the [Display Data Format]'s [Decimal Places] setting. For example, if the temperature controller's setting is for one digit after the decimal place, enter "1" for the [Decimal Places].

EX.) Temperature controller's value is 100.0
 Temperature controller value 100.0
 Value on the GP/GLC/LT unit (set for no value after decimal) 1000
 Value on the GP/GLC/LT unit (set for one digit after decimal point) 100.0

<When writing data>

Writing data from a temperature controller to the GP/GLC/LT will always be set for no value after the decimal point.

For detailed information about data setting ranges and decimal values, refer to Chino Corporation's Communication Interface Installation guide for each type of temperature controller.

12.10.4 Environment Setup

The following table lists Pro-face's recommended CHINO Corporation Controller and GP/GLC/LT communication settings.

■ LT230/LT300Series

| GP/GLC/LT Settings | | Controller Settings | |
|--|---------|-----------------------|--------------------|
| Baud Rate | 9600bps | Communication Rate | 9600bps |
| Data Length | 8 bits | Data Length | 8 bits |
| Stop Bit | 1 bit | Stop Bit | 1 bit |
| Parity Bit | Non | Parity Bit | Non |
| Communication Format When using RS-232C | RS-232C | _____ | _____ |
| Communication Format When using RS-422 | 4-wire | _____ | _____ |
| Communication Format When using RS-485 | 2-wire | _____ | _____ |
| Unit No. | 1 | Slave Address *1 | 1 |
| _____ | _____ | Protocol | MODBUS RTU |
| _____ | _____ | Communication Feature | Host Communication |

*1 Even though slave addresses can be set from 1 to 99, be sure to set them only from 1 to 32 when connecting to a GP.

■ LT400 Series

| GP/GLC/LT Settings | | Controller Settings | |
|--|---------|-----------------------|--------------------|
| Baud Rate | 9600bps | Communication Rate | 9600bps |
| Data Length | 8 bits | Data Length | 8 bits |
| Stop Bit | 1 bit | Stop Bit | 1 bit |
| Parity Bit | Non | Parity Bit | Non |
| Communication Format When using RS-232C | RS-232C | _____ | _____ |
| Communication Format When using RS-422 | 4-wire | _____ | _____ |
| Communication Format When using RS-485 | 2-wire | _____ | _____ |
| Unit No. | 1 | Slave Address *1 | 1 |
| _____ | _____ | Protocol | MODBUS RTU |
| _____ | _____ | Communication Feature | Host Communication |
| Send Wait | 30ms | _____ | _____ |

*1 Even though slave addresses can be set from 1 to 99, be sure to set them only from 1 to 32 when connecting to a GP.

■ **JU Series**

| GP/GLC/LT Settings | | Controller Settings | |
|--|---------|-----------------------------|---------|
| Baud Rate | 9600bps | Communication Rate | 9600bps |
| Data Length | 8 bits | Data Length | 8 bits |
| Stop Bit | 1 bit | Stop Bit | 1 bit |
| Parity Bit | Non | Parity Bit | Non |
| Communication Format When using RS-232C | RS-232C | _____ | _____ |
| Communication Format When using RS-485 | 4-wire | _____ | _____ |
| Unit No. | 1 | Slave Address ^{*1} | 1 |
| _____ | _____ | Communication Code | RTU |
| Send Wait | 30ms | _____ | _____ |

**1 Even though the GP unit's Station number can be set from 1 to 32, be sure to use only 1 to 31, which is the range allowed for temperature controller slave addresses.*

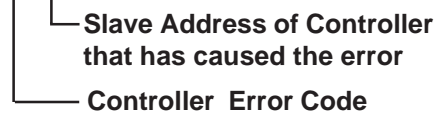
12.10.5 Error Codes

■ **Controller Error Codes**

◆ **LT/JU Series**

Error messages (Ex. Host communication error (02:**:##)) are displayed in the lower left corner of the GP/GLC/LT screen (** stands for an error code specific to the Controller).

Host Communication Error (02:**:##)



| Error Code | Description |
|------------------|--|
| 01 | Incorrect function code |
| 02 | Incorrect indirect number (reference number) |
| 03 | Incorrect amount of data |
| 09 ^{*1} | Either a data transfer error occurred between units, or the initial resistance value could not be set. |
| 11 | Outside of value setting range |

**1 Error Code "09" is only for JU Series.*

Refer to the Controller's manual for error code details.